

Service Outdoor Power Equipment Dealers Since 1984
8 McFadden Road ☉ Easton, PA 18045 ☉ (800) 942-2326 ☉ <https://shop.cadcodist.com/>

Stinger Service Bulletin

SERVICE BULLETIN 2024-1

Gateway Applicator Steering Knuckle Revision

Valued Customer,

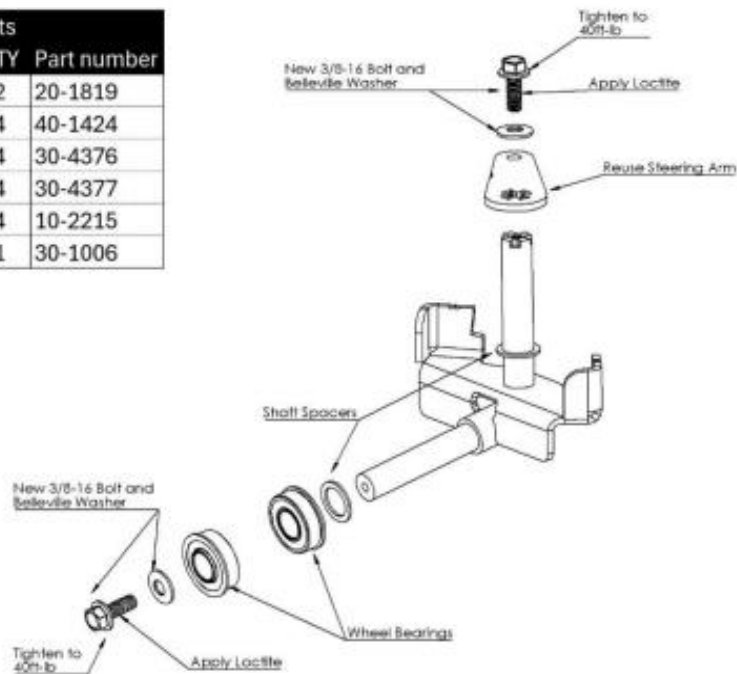
Thank you for purchasing a Stinger Gateway Applicator

Summary: Deflection of the steering stop on the original knuckle caused excessive travel of the steering control and dampening rod. Improved knuckles supersede the original design, limiting the travel of the steering system, and reducing wear on the corresponding components. This new design also upgrades the knuckle fasteners from 5/16" to 3/8" Bolts and washers.

Cost Coverage: Parts will be supplied in a kit at no charge. Labor is \$75 Flat Rate.

Models Affected: Gateway Applicators Serial GW2X-60001 through GW2X-61000, Serial number will be required at time of request for update kit

Kit Contents		
Item	QTY	Part number
Knuckle	2	20-1819
Wheel Bearing	4	40-1424
3/8-16 x 3/4" Bolt	4	30-4376
3/8 Belleville Washer	4	30-4377
Shaft spacer	4	10-2215
Loctite 242 0.5mL	1	30-1006



Why: To improve life of steering components and maintain damping performance of the system.

Recommendation: Remove the front wheels. Separate the upper linkage of the knuckle pivot and slide the old knuckle out of the bearings. Replace with new knuckle and spacers, then reattach upper steering arm with new supplied hardware. Replace wheel and tighten 3/8"-16 bolts to 40ft-lbs using Loctite 242 on the threads.

